



COMMERCIAL VEHICLE AUCTIONS LTD
THE UK'S MOST ESTABLISHED COMMERCIAL VEHICLE AUCTIONEERS

Carr Hill Industrial Estate
Doncaster
DN4 8DE

01302 732600 | cva.noreply@cva-auctions.co.uk

VEHICLE INSPECTION REPORT

DV69TLJ

Toyota Hilux 2.4 D-4D

Non Runner **Serious Damage**
Inspection

Serious Damage? No

Vehicle

VAT	Plus VAT
V5	To Follow

Details

Reg. date	23/12/2019	Colour	WHITE	CAP Average	£11,650.00
Year	2019	VIN	AHTKB3CC602518647	CAP Below	£9,075.00
Mileage	Not Showing	Body Style	4x4	Gearbox	MANUAL
Fuel Type	Diesel	MOT Due	28/12/2026	Gears	6
GVW	3150kg	CAP Clean	£13,500.00		

NON-RUNNER - TURNS OVER DOES NOT START *SEVERE DAMAGE* TOW BAR, E/MIRRORS, LEATHER, MOT SHOWS 37,235 MILES 05/12/2025

Tyres

NSF
NSR
OSF
OSR
Spare

Features

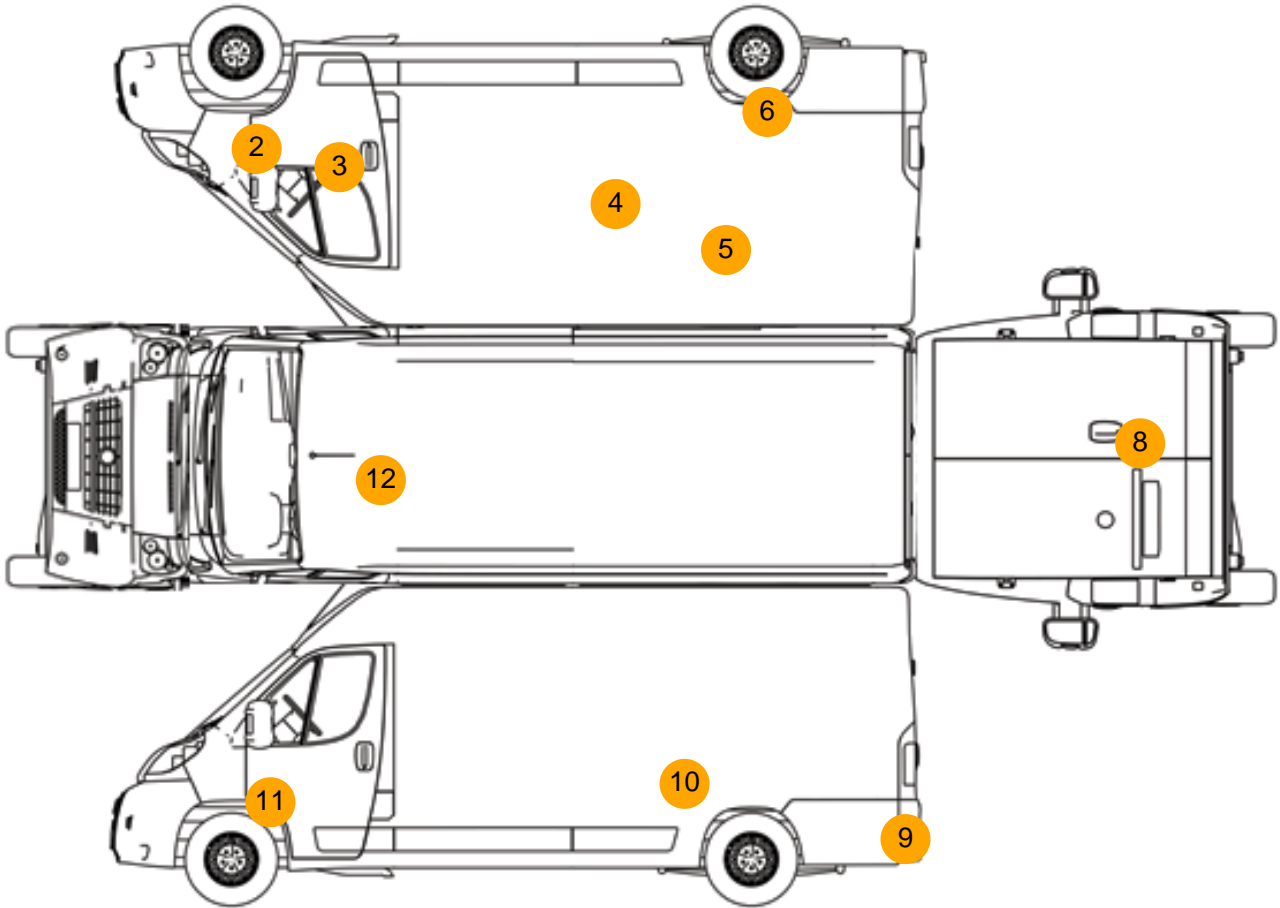
- Radio/CD
- Air conditioning
- Front electric windows
- Central locking

Photos





Condition Check



Damage Photos



1: Seat Base Cover of
Torn
Up To 3mm

2: Wing of
Dented
With Paint Damage



3: Door osf
Dented
With Paint Damage

4: Door osr
Dented
With Paint Damage



5: Qtr Panel osr
Dented
With Paint Damage

6: Wheel osr
Missing
Replace



7: Other
N/A
N/A

8: Tailgate
Rusted
Over 5mm



9: Bumper Rear Moulding
Missing
Replace

10: Qtr Panel nsr
Dented
With Paint Damage



11: Wing nsf
Dented
With Paint Damage

12: Roof
Rusted
Over 5mm

Interior

Carpet Condition	Average	Upholstery Condition	Average
Seat Condition	Average	Odour	No
Engine Runs	Fault	Gearbox 1st and Reverse Test	Fault
Brakes	Fault	Clutch Slip Test from Static	Fault
Turbo Boosting	Fault	Gearbox Static Gear Selection (engine running)	Fault
Parking Brake	Fault	No Excessive Smoking	Fault
EML light illuminated	Fault	Oil warning light illuminated	Fault
Airbag light illuminated	Fault	DPF light illuminated	OK
ABS light illuminated	Fault	Service indicator light illuminated	Fault

Windows

OK

Radio

OK

Steering

Fault